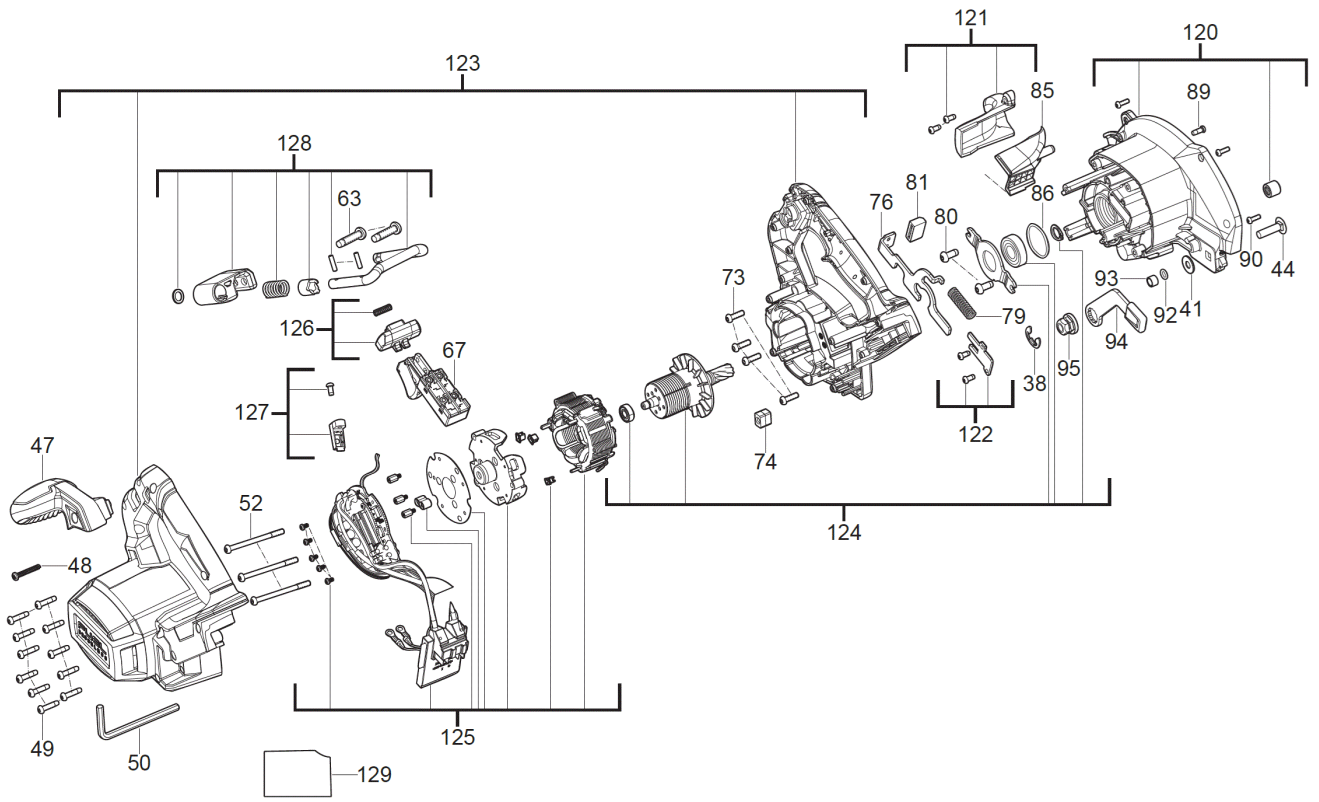
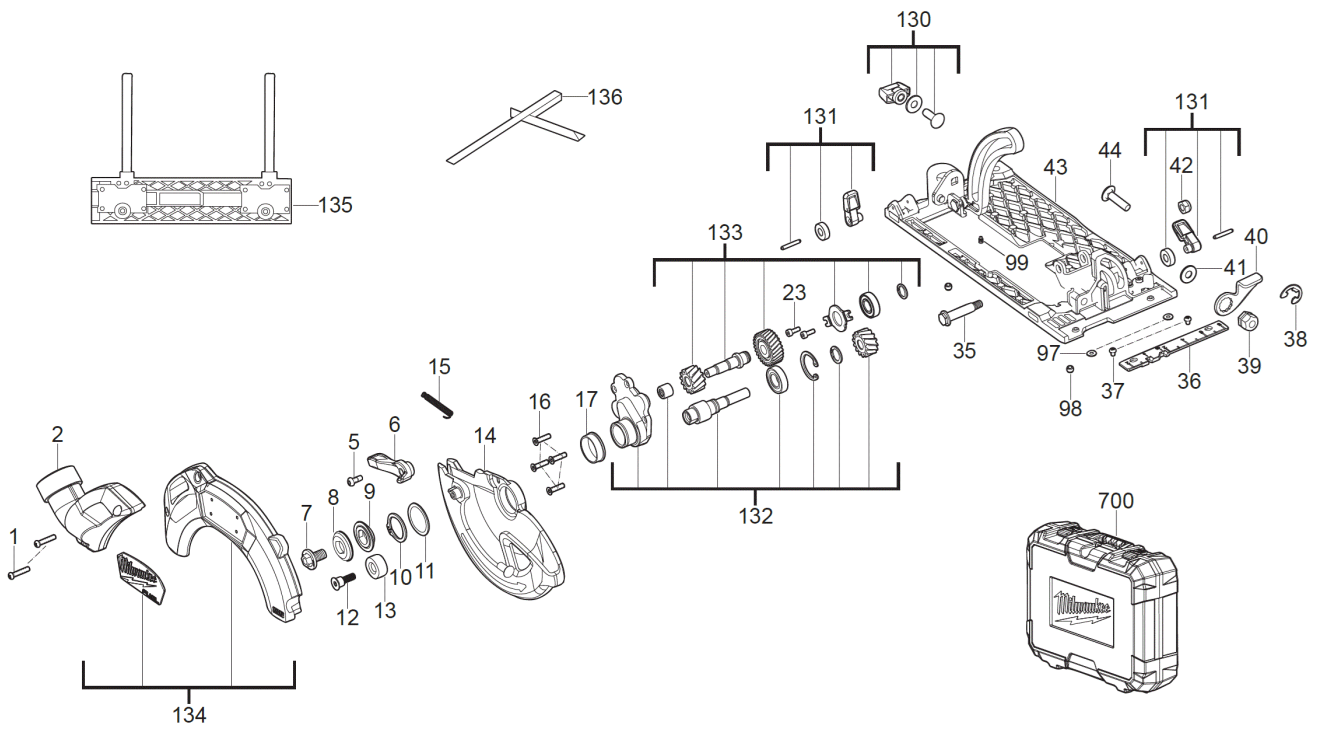


M18FCSDC165-552 DeepCut Circul. Saw IN2

4933499997 - M18FCSDC165-552C - 4000510390







Position	Quantity	Description	Part number	EAN
0001 1	2	SCREW	4931508928	4058546635909
0002 2	1	COVER	4931508929	4058546635916
0005 3	1	SCREW	4931435015	4002395856633
0006 4	1	LEVER	4931508930	4058546635923
0007 5	1	SCREW	4931508931	4058546635930
0008 6	1	FLANGE	4931508932	4058546635947
0009 7	1	FLANGE	4931508933	4058546635954
0010 8	1	RETAINING RING	4931466786	4058546280031
0011 9	1	WASHER	4931508934	4058546635961
0012 10	1	SCREW	4931506290	4058546556044
0013 11	1	RUBBER BUMPER	4931465876	4058546239763
0014 12	1	GUARD CAP	4931508935	4058546635978
0015 13	1	SPRING	4931508936	4058546635985
0016 14	4	SCREW	4931465163	4058546232634
0017 15	1	SLEEVE	4931508937	4058546635992
0023 16	2	SCREW	4931508938	4058546636005
0035 17	1	BOLT	4931506288	4058546556020
0036 18	1	SCALE	4931508939	4058546636012
0037 19	2	SCREW	4931508940	4058546636029
0038 20	2	PROTECTION WASHER	4931466984	4058546282011
0039 21	1	NUT	4931508941	4058546636036
0040 22	1	LEVER	4931508942	4058546636043
0041 23	2	WASHER	4931472005	4058546282226
0042 24	1	NUT	4931506287	4058546556013
0043 25	1	GUIDE SHOE	4931508943	4058546636050
0044 26	2	SCREW	4931508944	4058546636067
0047 27	1	HANDLE	4931508945	4058546636074
0048 28	1	SCREW	06827276	4058546068998
0049 29	11	SCREW	4931506283	4058546555979
0050 30	1	ALLEN KEY	4931508946	4058546636081
0052 31	3	SCREW	4931508947	4058546636098
0063 32	2	SCREW	4931480405	4058546424206
0067 33	1	SWITCH KIT	4931507086	4058546595975
0073 34	4	SCREW	4931472710	4058546330125
0074 35	2	RUBBER	4931508948	4058546636104
0076 36	1	LOCK	4931508949	4058546636111
0079 37	1	SPRING	4931506285	4058546555993
0080 38	2	LOCKING SCREW	4931465672	4058546237721
0081 39	1	COVER	4931494122	4058546466947
0085 40	1	HOLDING BRACKET	4931508950	4058546636128
0086 41	1	O-RING	4931436466	4002395251742
0089 42	1	SCREW	4931506292	4058546556068
0090 43	3	SCREW	4931508951	4058546636135
0092 44	1	O-RING	4931508952	4058546636142
0093 45	1	BUSHING	4931508953	4058546636159
0094 46	1	LEVER	4931508954	4058546636166
0095 47	1	NUT	4931508955	4058546636173
0097 48	2	WASHER	4931508956	4058546636180
0098 49	2	SPRING	4931508957	4058546636197
0099 50	1	SCREW	4931508958	4058546636203

Position	Quantity	Description	Part number	EAN
0120 51	1	GEAR BOX HOUSING	4931508959	4058546636210
0121 52	1	COVER	4931508960	4058546636227
0122 53	1	LOCKING PLATE	4931508961	4058546636234
0123 54	1	HOUSING	4931508962	4058546636241
0124 55	1	ROTOR	4931508963	4058546636258
0125 56	1	ELECTRONIC	4931508964	4058546636265
0126 57	1	SWITCH BUTTON	4931508965	4058546636272
0127 58	1	LED LIGHT	4931508966	4058546636289
0128 59	1	HOOK	4931508967	4058546636296
0129 60	1	RATING PLATE	4931508968	4058546636302
0130 61	1	LEVER	4931508969	4058546636319
0131 62	2	LEVER	4931508970	4058546636326
0132 63	1	SHAFT	4931508971	4058546636333
0133 64	1	DRIVING SHAFT	4931508972	4058546636340
0134 65	1	GUARD	4931508973	4058546636357
0136 66	1	FENCE	4931508974	4058546636364
0700 67	1	CARRYING CASE	4931508975	4058546636371