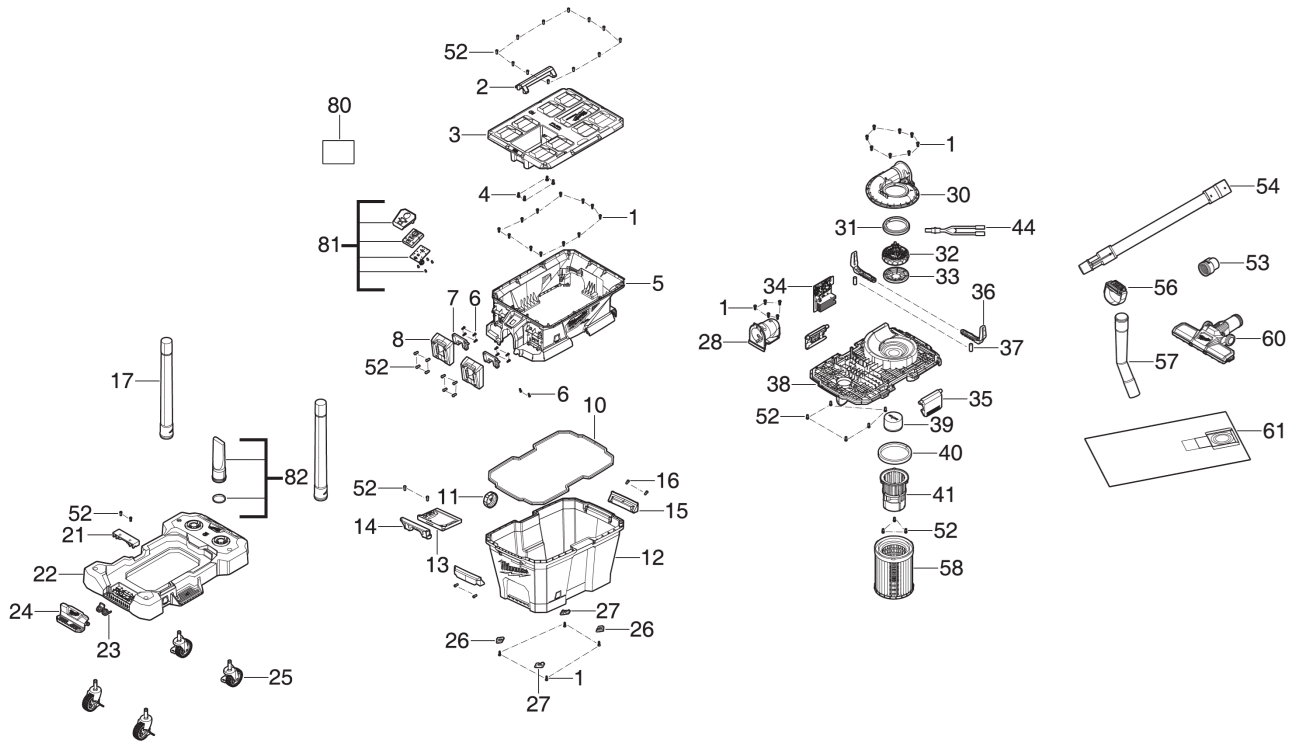


# M18F2VC23LG2-0 WET AND DRY VAC XXX

4933500140 - M18F2VC23LG2-0 - 4000510286





Position	Quantity	Description	Part number	EAN
0001 1	29	SCREW	4931494632	4058546472047
0002 2	1	HANDLE	4931508544	4058546632069
0003 3	1	COVER	4931508545	4058546632076
0004 4	4	SCREW	4931508546	4058546632083
0005 5	1	BODY	4931508547	4058546632090
0006 6	10	SCREW	4931506826	4058546561406
0007 7	2	COVER	4931508548	4058546632106
0008 8	2	GUIDE RAIL	4931508549	4058546632113
0010 9	1	SEAL	4931508550	4058546632120
0011 10	1	CAP	4931508551	4058546632137
0012 11	1	TANK	4931508552	4058546632144
0013 12	1	BRACKET	4931508553	4058546632151
0014 13	1	HOLDER	4931508554	4058546632168
0015 14	2	HANDLE	4931508555	4058546632175
0016 15	4	SCREW	4931508556	4058546632182
0017 16	2	ROD	4931508557	4058546632199
0021 17	1	COVER	4931508558	4058546632205
0022 18	1	BODY	4931508559	4058546632212
0023 19	1	SPRING	4931508560	4058546632229
0024 20	1	RELEASE LEVER	4931508561	4058546632236
0025 21	4	WHEEL	4931508562	4058546632243
0026 22	2	RUBBER BUFFER	4931508563	4058546632250
0027 23	2	RUBBER BUFFER	4931508564	4058546632267
0028 24	1	CONNECTOR	4931508565	4058546632274
0030 25	1	HOUSING	4931508566	4058546632281
0031 26	1	SEAL	4931508567	4058546632298
0032 27	1	MOTOR	4931508568	4058546632304
0033 28	1	SEAL	4931508569	4058546632311
0034 29	1	ELECTRONIC	4931508570	4058546632328
0035 30	2	LATCH	4931508571	4058546632335
0036 31	2	BRACKET	4931508572	4058546632342
0037 32	2	PIN	4931508573	4058546632359
0038 33	1	FRAME	4931508574	4058546632366
0039 34	1	FLOAT BALL	4931508575	4058546632373
0040 35	1	SEAL	4931508576	4058546632380
0041 36	1	INLET FILTER	4931508577	4058546632397
0044 37	1	WIRE	4931508578	4058546632403
0052 38	32	SCREW	Item discontinued(4931461455)	
0053 39	1	DUST EXTRACTION	4931508283	4058546629458
0054 40	1	HOSE	4931508579	4058546632410
0056 41	1	VACLINK FOB WITH ELASTIC BRAIDING TAPE	4931510303	4058546649869
0057 42	1	HOSE	4931508581	4058546632434
0058 43	1	Dry HEPA Filter replacement	4932479805	4058546375997
0060 44	1	FLOOR TOOL	4931508303	4058546629656
0061 45	1	Fleece Filter Bag - 5pcs	4932479807	4058546376017
0080 46	1	RATING PLATE	4931510739	4058546649609
0081 47	1	CONTROL PANEL KIT	4931508582	4058546632441
0082 48	1	CREVICE TOOL	4931508282	4058546629441