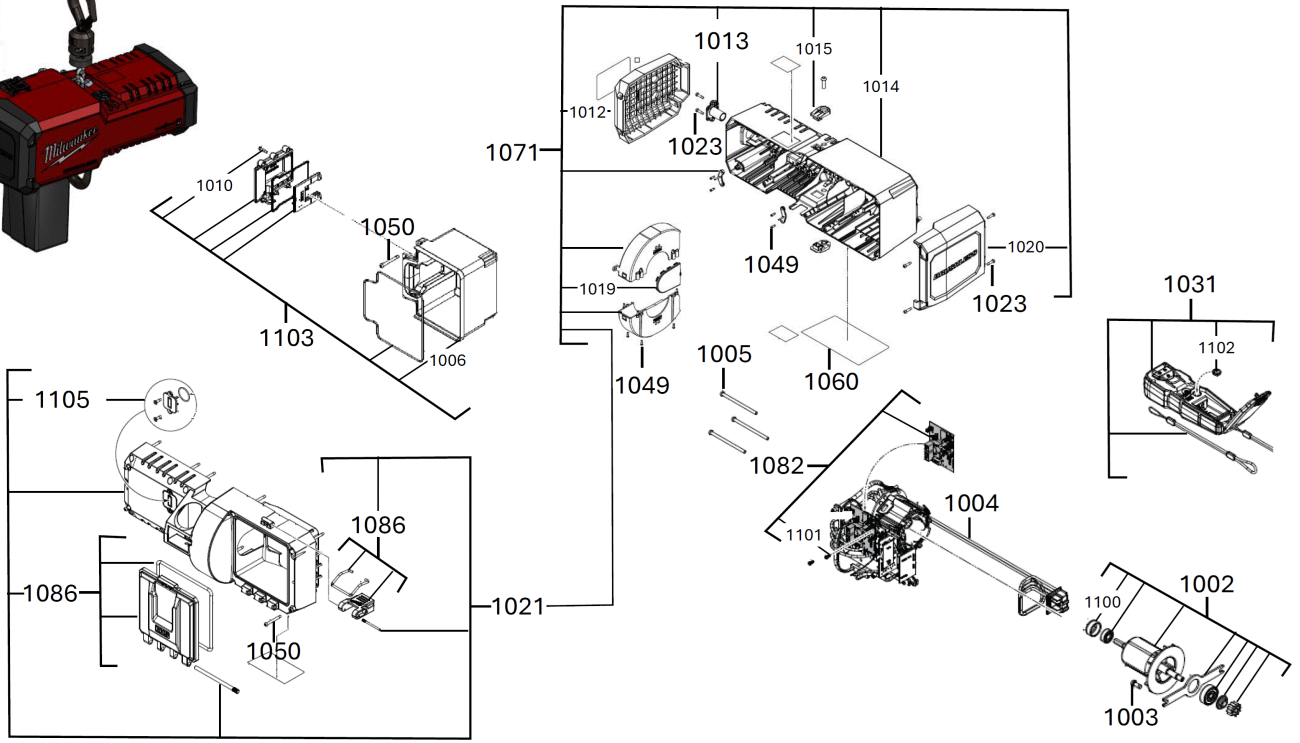
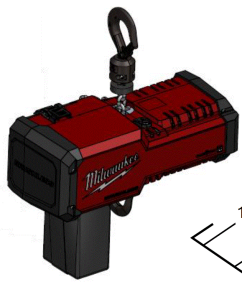
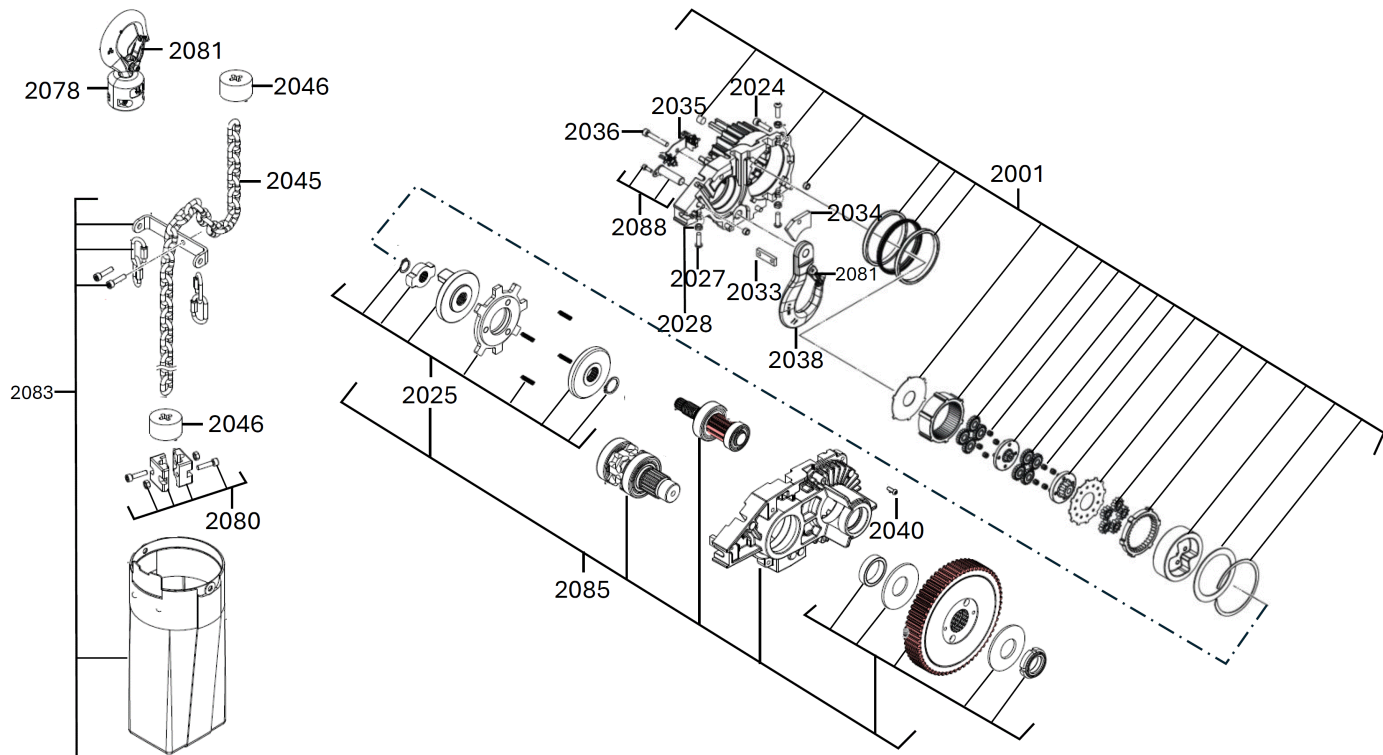


M18BLCHTO-121 1 ton Chain Hoist IN2

4933500224 - M18BLCHTO-121 - 4000497770







Position	Quantity	Description	Part number	EAN
1002 1	1	ARMATURE	4931508353	4058546630157
1003 2	2	SCREW	4931508354	4058546630164
1004 3	1	ELECTRONIC	4931508355	4058546630171
1005 4	3	SCREW	4931508356	4058546630188
1006 5	1	HOUSING	4931508357	4058546630195
1010 6	6	SCREW	4931480615	4058546426309
1012 7	1	END COVER CAP	4931508358	4058546630201
1013 8	1	COVER	4931511284	4058546651404
1014 9	1	HOUSING	4931508359	4058546630218
1015 10	2	PLUG	4931508360	4058546630225
1019 11	1	DOOR	4931508361	4058546630232
1020 12	1	END COVER CAP	4931508362	4058546630249
1021 13	1	HOUSING	4931508363	4058546630256
1023 14	10	SCREW	4931508364	4058546630263
1031 15	1	REMOTE TSC CONTROL	4931511285	4058546651411
1049 16	7	SCREW	4931508365	4058546630270
1050 17	14	SCREW	4931508366	4058546630287
1060 18	1	RATING PLATE	4931511286	4058546651428
1071 19	1	HOUSING	4931508367	4058546630294
1082 20	1	ELECTRONIC	4931508368	4058546630300
1086 21	1	DOOR	4931508369	4058546630317
1100 22	1	END COVER CAP	4931508370	4058546630324
1101 23	2	SCREW	4931508371	4058546630331
1102 24	1	BUTTON	4931508372	4058546630348
1103 25	1	HOUSING	4931511287	4058546651435
1105 26	1	COVER	4931511288	4058546651442
2001 27	1	GEAR CASE	4931508373	4058546630355
2024 28	12	SCREW	4931508374	4058546630362
2025 29	1	GEAR BOX KIT	4931508375	4058546630379
2027 30	3	SCREW	4931508802	4058546634643
2028 31	3	NUT	4931480075	4058546420901
2033 32	1	NUT	4931508376	4058546630386
2034 33	1	CROSS BRACKET	4931508377	4058546630393
2035 34	1	ELECTRONIC	4931508378	4058546630409
2036 35	1	SCREW	4931508379	4058546630416
2038 36	1	HOOK	4931508380	4058546630423
2040 37	4	SCREW	4931508381	4058546630430
2045 38	1	CHAIN	4931508382	4058546630447
2046 39	2	RUBBER BUMPER	4931508383	4058546630454
2078 40	1	BLOCK	4931508384	4058546630461
2080 41	1	BLOCK	4931508385	4058546630478
2081 42	2	LATCH	4931508386	4058546630485
2083 43	1	BAG	4931508387	4058546630492
2085 44	1	GEAR CASE	4931508388	4058546630508
2088 45	1	SCREW	4931508389	4058546630515