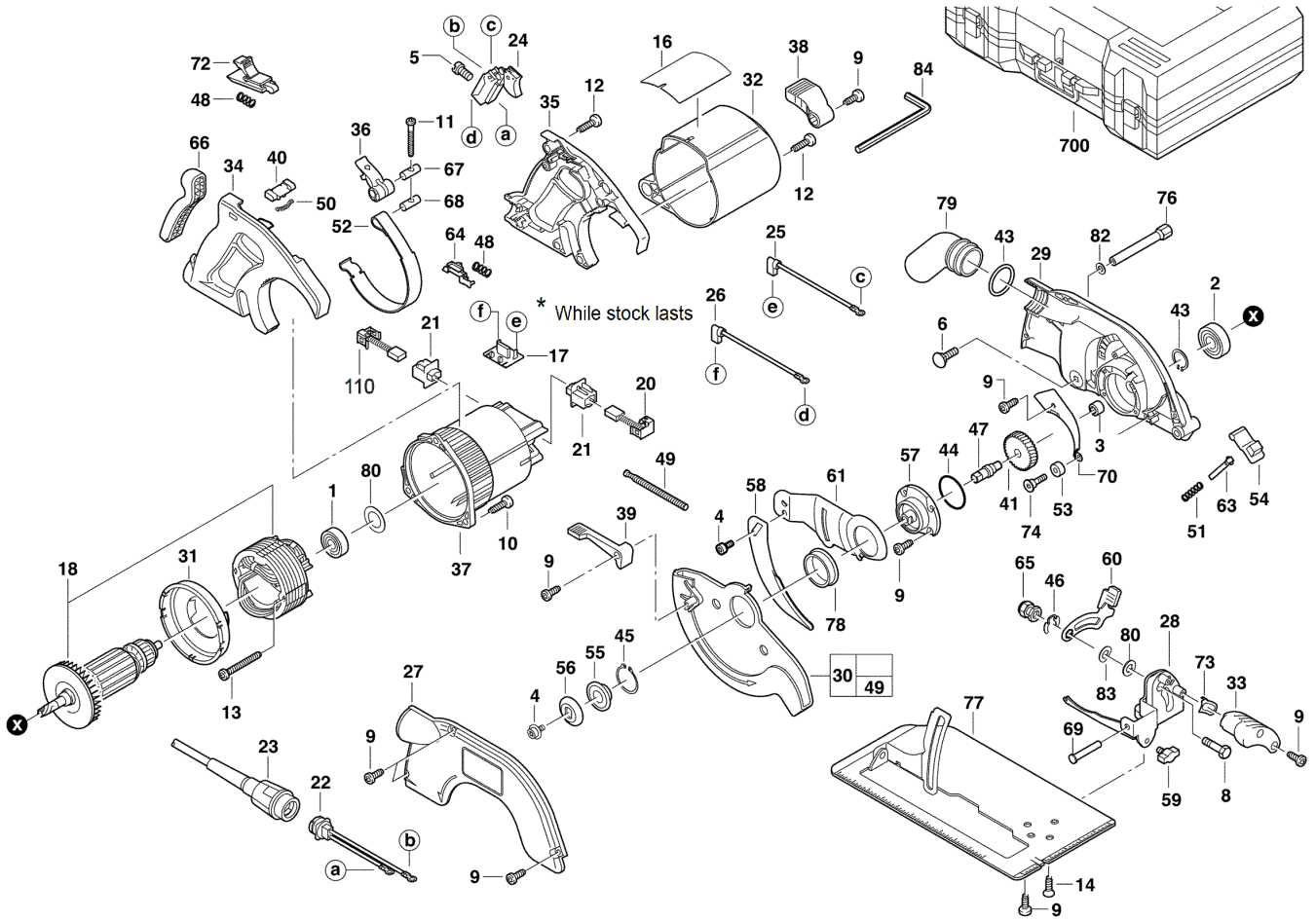


SCS65Q CIRCULAR SAW IN2

638051 - SCS65Q - 4000393719





Position	Quantity	Description	Part number	EAN
0001 1	1	BALL BEARING	02040847	4058546067977
0002 2	1	BALL BEARING	4931435723	4002395863754
0003 3	1	BALL BEARING	Item discontinued(02502423)	
0004 4	1	SCREW	05890055	4058546068448
0016 5	1	TYPE PLATE	Item discontinued(12996380)	
0017 6	1	CAPACITOR	14201325	4058546069506
0018 7	1	MOTOR ASSEMBLY	4931441958	4002395180585
0020 8	2	CARBON BRUSH	22180085	4002395881550
0021 9	2	BRUSH HOLDER	22220030	4002395881543
0022 10	1	CONNECTION SLEEVE	Item discontinued(22560857)	
0023 11	1	CONNECTION CABLE IN2	4931624171	4002395710799
0023 12	1	CONNECTION CABLE Swiss	4931624181	4002395712076
0023 13	1	CONNECTION CABLE GB2	4931624184	4002395712106
0023 14	1	CONNECTION CABLE AUS NZ	4931624342	4002395741120
0024 15	1	SWITCH	23662117	4058546070533
0025 16	1	CABLE	Item discontinued(23941180)	
0026 17	1	CABLE	Item discontinued(23941185)	
0027 18	1	COVER	Item discontinued(25200135)	
0028 19	1	BRACKET	14670260	4058546069612
0029 20	1	GEAR BOX	Item discontinued(28140110)	
0030 21	1	COVER	14320135	4002395773619
0031 22	1	AIR DEFLECTOR RING	31050045	4058546071233
0032 23	1	COVER	Item discontinued(31150461)	
0033 24	1	HANDLE	Item discontinued(31440060)	
0034 25	1	HANDLE RIGHT	Item discontinued(31440083)	
0035 26	1	HANDLE LEFT	Item discontinued(31440093)	
0036 27	1	HANDLE	31442157	4058546071516
0037 28	1	HOUSING	31500050	4058546071585
0038 29	1	STOP	Item discontinued(31520015)	
0039 30	1	STOP	31520025	4058546071646
0040 31	1	DRIVER	31760016	4002395834099
0041 32	1	GEAR	32753205	4058546072018
0043 33	2	O-RING	34401375	4058546072117
0044 34	1	O-RING	34401380	4058546072124
0045 35	1	THRUST COLLAR	34600320	4058546072216
0046 36	1	RING	Item discontinued(34602330)	
0047 37	1	SPINDLE	Item discontinued(38500065)	
0048 38	2	SPRING	Item discontinued(40500055)	
0049 39	1	GUARD CAP	14320135	4002395773619
0050 40	1	SPRING	Item discontinued(40500270)	
0051 41	1	PRESSURE SPRING	40508040	4058546072803
0052 42	1	HANDLE	Item discontinued(42160160)	
0053 43	1	GUARD	42380222	4058546073053
0054 44	1	SPINDLE	Item discontinued(42420275)	
0055 45	1	FLANGE	43340480	4058546073367
0056 46	1	FLANGE	43340485	4058546073374
0057 47	1	BEARING HOUSING	43780155	4058546073626
0058 48	1	KNIFE	43970075	4058546073688
0059 49	1	KNOB	Item discontinued(43980615)	
0060 50	1	LEVER	Item discontinued(44100130)	

Position	Quantity	Description	Part number	EAN
0061 51	1	PLATE	44140225	4058546073770
0063 52	1	SPINDLE	44200510	4058546073787
0064 53	1	SLIDE	44200640	4058546073794
0065 54	1	ADJUSTING NUT	Item discontinued(44400780)	
0066 55	1	HANDLE	Item discontinued(44520682)	
0067 56	1	PIN	Item discontinued(44600075)	
0068 57	1	PIN	Item discontinued(44600085)	
0069 58	1	PIN	44601180	4058546073909
0070 59	1	LATCH PLATE	Item discontinued(44660075)	
0072 60	1	PLATE	44660201	4058546073978
0073 61	1	POINTER	Item discontinued(44720050)	
0074 62	1	SCREW	Item discontinued(45040485)	
0076 63	1	SHAFT	45080416	4002395775231
0077 64	1	STOP	45160165	4058546074463
0078 65	1	SLEEVE	45220605	4058546074517
0079 66	1	TUBE	45760331	4058546074715
0080 67	2	WASHER	45880577	4058546074784
0082 68	1	WASHER	4931506000	4058546553142
0083 69	1	WASHER	Item discontinued(45888460)	
0084 70	1	WRENCH CHAIN	Item discontinued(49960345)	
0110 71	1	CARBON BRUSH SET	4931511232	4058546650889
0700 72	1	CARRYING CASE	Item discontinued(201672001)	