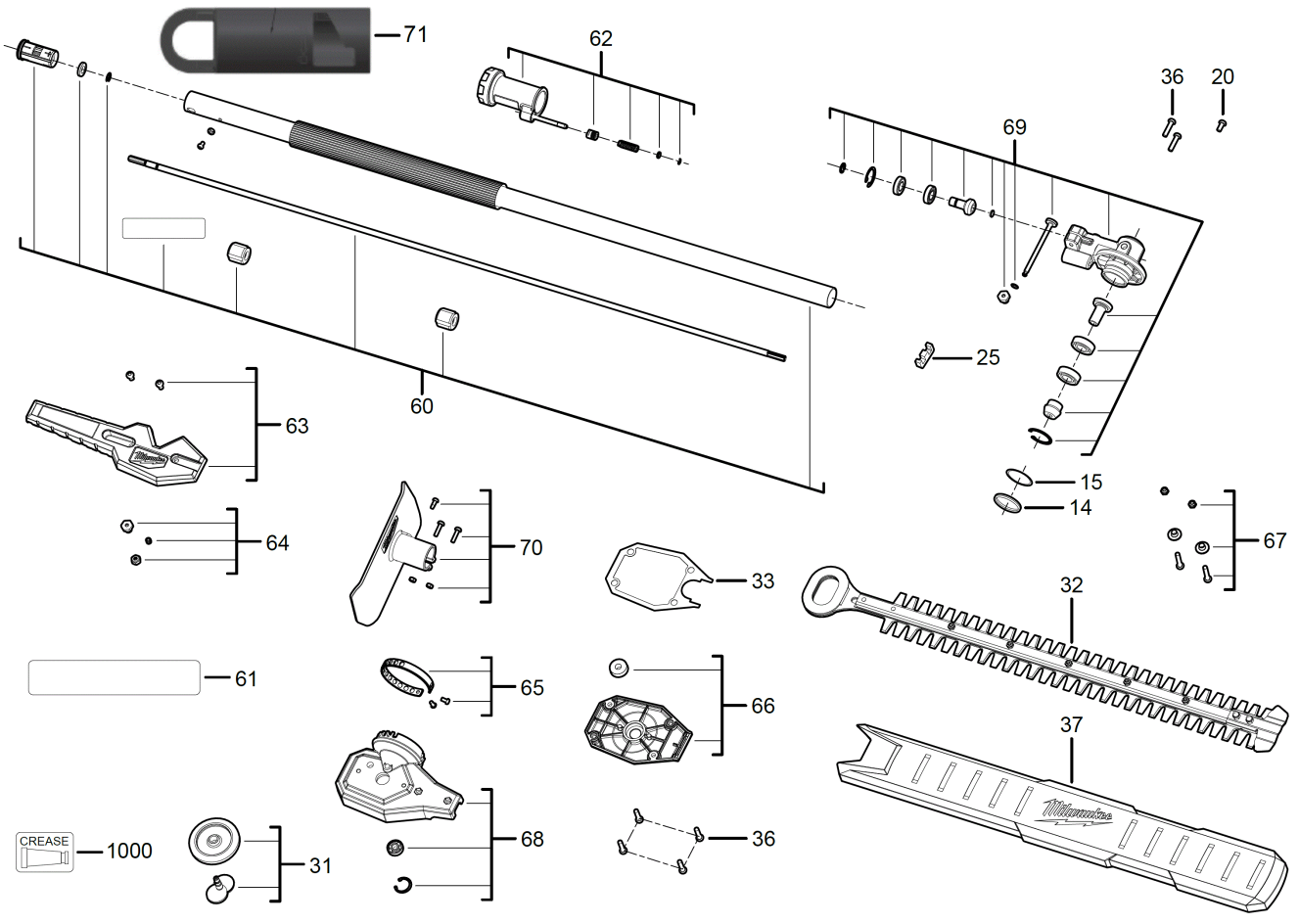


# M18FOPH-HTA HECKENSCHEREN-AUFSATZ XXX

4932464959 - M18FOPH-HTA - 4000469778





| Position | Quantity | Description       | Part number | EAN           |
|----------|----------|-------------------|-------------|---------------|
| 0014 1   | 1        | O-RING            | 4931466892  | 4058546281090 |
| 0015 2   | 1        | SCHEIBE           | 4931466893  | 4058546281106 |
| 0020 3   | 1        | SCHRAUBE          | 4931466691  | 4058546279080 |
| 0025 4   | 1        | FILZDICHTUNG      | 4931466894  | 4058546281113 |
| 0031 5   | 1        | KURBELWELLE       | 4931466895  | 4058546281120 |
| 0032 6   | 1        | KLINGE            | 4931466896  | 4058546281137 |
| 0033 7   | 1        | DICHTUNG          | 4931466897  | 4058546281144 |
| 0036 8   | 6        | SCHRAUBE          | 4931466683  | 4058546279004 |
| 0037 9   | 1        | SCHUTZ            | 4931466898  | 4058546281151 |
| 0060 10  | 1        | HALTESTANGE       | 4931466899  | 4058546281168 |
| 0061 11  | 1        | LEISTUNGSSCHILD   | 4931466900  | 4058546281175 |
| 0062 12  | 1        | HANDGRIFF-SET     | 4931466901  | 4058546281182 |
| 0063 13  | 1        | ABDECKUNG         | 4931466902  | 4058546281199 |
| 0064 14  | 1        | BEFESTIGUNGSTEILE | 4931466903  | 4058546281205 |
| 0065 15  | 1        | ARRETIERBLECH     | 4931466904  | 4058546281212 |
| 0066 16  | 1        | ABDECKUNG         | 4931466905  | 4058546281229 |
| 0067 17  | 1        | BEFESTIGUNGSTEILE | 4931466906  | 4058546281236 |
| 0068 18  | 1        | GEHAEUSE          | 4931466907  | 4058546281243 |
| 0069 19  | 1        | GETRIEBEKASTEN    | 4931466908  | 4058546281250 |
| 0070 20  | 1        | ABDECKUNG         | 4931466909  | 4058546281267 |
| 0071 21  | 1        | HAKEN             | 4931472309  | 4058546285265 |
| 1000 22  | 1        | GETRIEBEFETT      | 4931443288  | 4002395255627 |