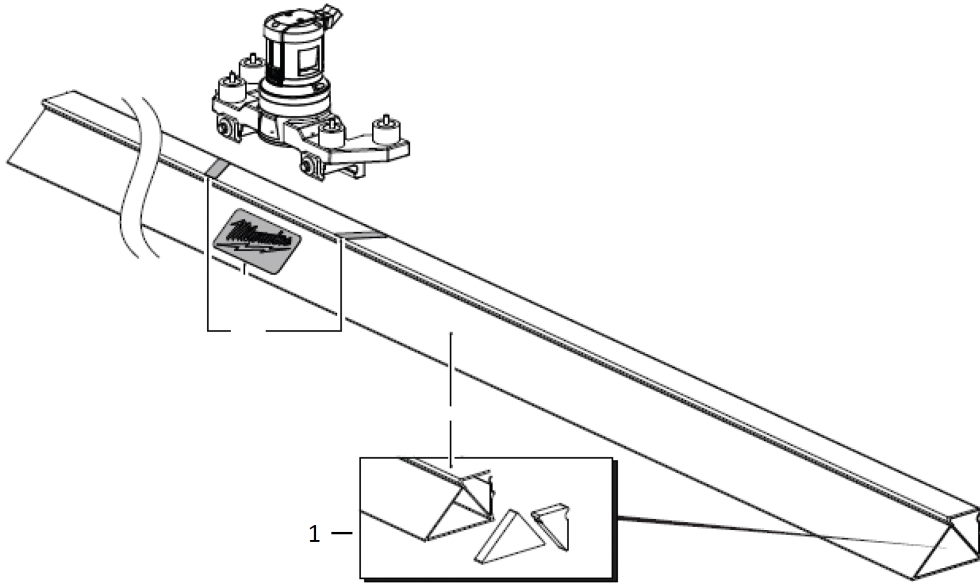


# MXF PSB-2.44m

4932479778 - MXF PSB-2.4M - 4000491732





Position	Quantity	Description	Part number	EAN
1	1	PART NOT DETAILED	1000063920	
0001 2	1	SCHUTZHAUBEN-SET	4931494579	4058546471514