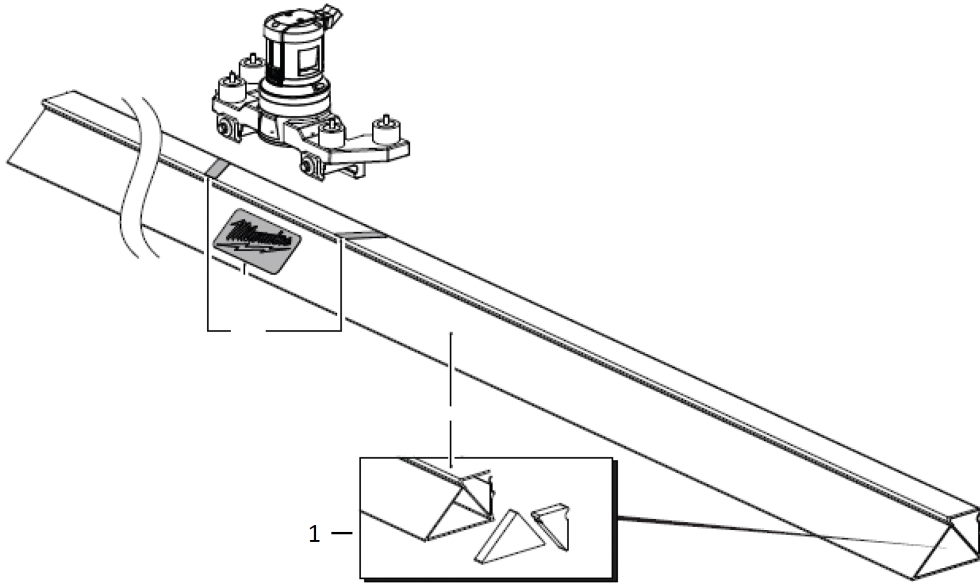


MXF PSB-3.65m

4932479780 - MXF PSB-3.6M - 4000491738





| Position | Quantity | Description | Part number | EAN |
|-----------------|-----------------|--------------------|--------------------|---------------|
| 1 | 1 | PART NOT DETAILED | 1000063920 | |
| 0001 2 | 1 | SCHUTZHAUBEN-SET | 4931494579 | 4058546471514 |