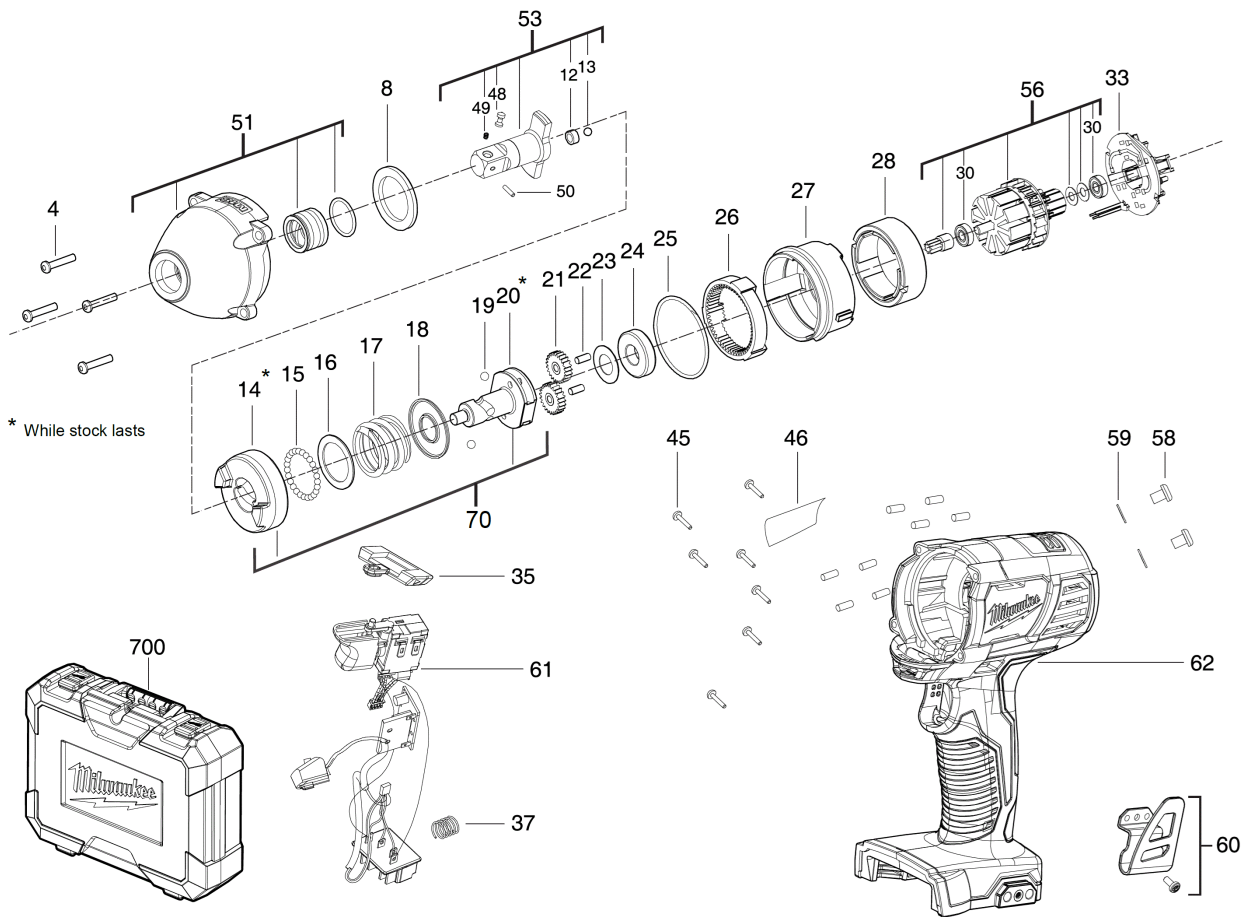


M18BIW12-402C AK.-SCHLAGSCHRAUBER IN2

4933443607 - M18BIW12-402C - 4000443591





| Position | Quantity | Description | Part number | EAN |
|----------|----------|----------------------|-------------------------------|---------------|
| 0004 1 | 4 | SCHRAUBE | 4931436054 | 4002395876372 |
| 0008 2 | 1 | SCHEIBE | 4931452798 | 4002395169283 |
| 0012 3 | 1 | NADELLAGER | 4931446185 | 4002395877645 |
| 0013 4 | 1 | KUGEL | 4931453238 | 4002395153916 |
| 0014 5 | 1 | SCHLAGKOERPER | 4931436056 | 4002395876396 |
| 0015 6 | 30 | KUGEL | 4931440309 | 4002395892013 |
| 0016 7 | 1 | SCHEIBE | 4931436057 | 4002395877003 |
| 0017 8 | 1 | RING | Item discontinued(4931436058) | |
| 0018 9 | 1 | SCHEIBE | 4931436059 | 4002395877027 |
| 0019 10 | 2 | KUGEL | 4931440453 | 4002395892020 |
| 0020 11 | 1 | STOESSEL | 4931436060 | 4002395877034 |
| 0021 12 | 2 | PLANETENGETRIEBE | 4931436061 | 4002395877041 |
| 0022 13 | 2 | ZYLINDERSTIFT | 4931435378 | 4002395889341 |
| 0023 14 | 1 | SCHEIBE | 4931435379 | 4002395889358 |
| 0024 15 | 1 | KUGELLAGER | 4931436062 | 4002395877058 |
| 0025 16 | 1 | HALTERING | Item discontinued(4931436063) | |
| 0026 17 | 1 | GETRIEBERAD | Item discontinued(4931436064) | |
| 0027 18 | 1 | GEHAEUSE | Item discontinued(4931436065) | |
| 0028 19 | 1 | FELD F. ELEKTROMOTOR | 4931454076 | 4002395287512 |
| 0030 20 | 2 | KUGELLAGER | 681262001 | 4002395806126 |
| 0033 21 | 1 | KOHLEBUERSTEN-SET | 4931436067 | 4002395877799 |
| 0035 22 | 1 | UMSCHALTER | 4931436068 | 4002395878406 |
| 0037 23 | 1 | DRUCKFEDER | 4931408243 | 4002395814466 |
| 0045 24 | 9 | SCHRAUBE | 660851001 | 4002395823239 |
| 0046 25 | 1 | LEISTUNGSSCHILD | 4931436069 | 4002395878413 |
| 0048 26 | 1 | STIFT | 4931436207 | 4002395883523 |
| 0049 27 | 1 | FEDER | 4931436071 | 4002395878437 |
| 0050 28 | 1 | STIFT | 4931436072 | 4002395878444 |
| 0051 29 | 1 | GEHAEUSE | 4931436073 | 4002395878451 |
| 0053 30 | 1 | ANTRIEB | 4931436074 | 4002395878468 |
| 0056 31 | 1 | ANKER F.ELEKTROMOTOR | 4931436075 | 4002395878475 |
| 0058 32 | 2 | FEDERRING | 670028003 | 4002395846627 |
| 0059 33 | 2 | SCHRAUBE | 4931435990 | 4002395876402 |
| 0060 34 | 1 | HALTER | 4931436076 | 4002395878482 |
| 0061 35 | 1 | SCHALTER M.ELEKTRO. | 4931436077 | 4002395878499 |
| 0062 36 | 1 | HANDGRIFF | 4931436078 | 4002395878505 |
| 0070 37 | 1 | NOCKENWELLE | 4931511005 | 4058546636678 |
| 0700 38 | 1 | TRANSPORTKOFFER | Item discontinued(4931436079) | |