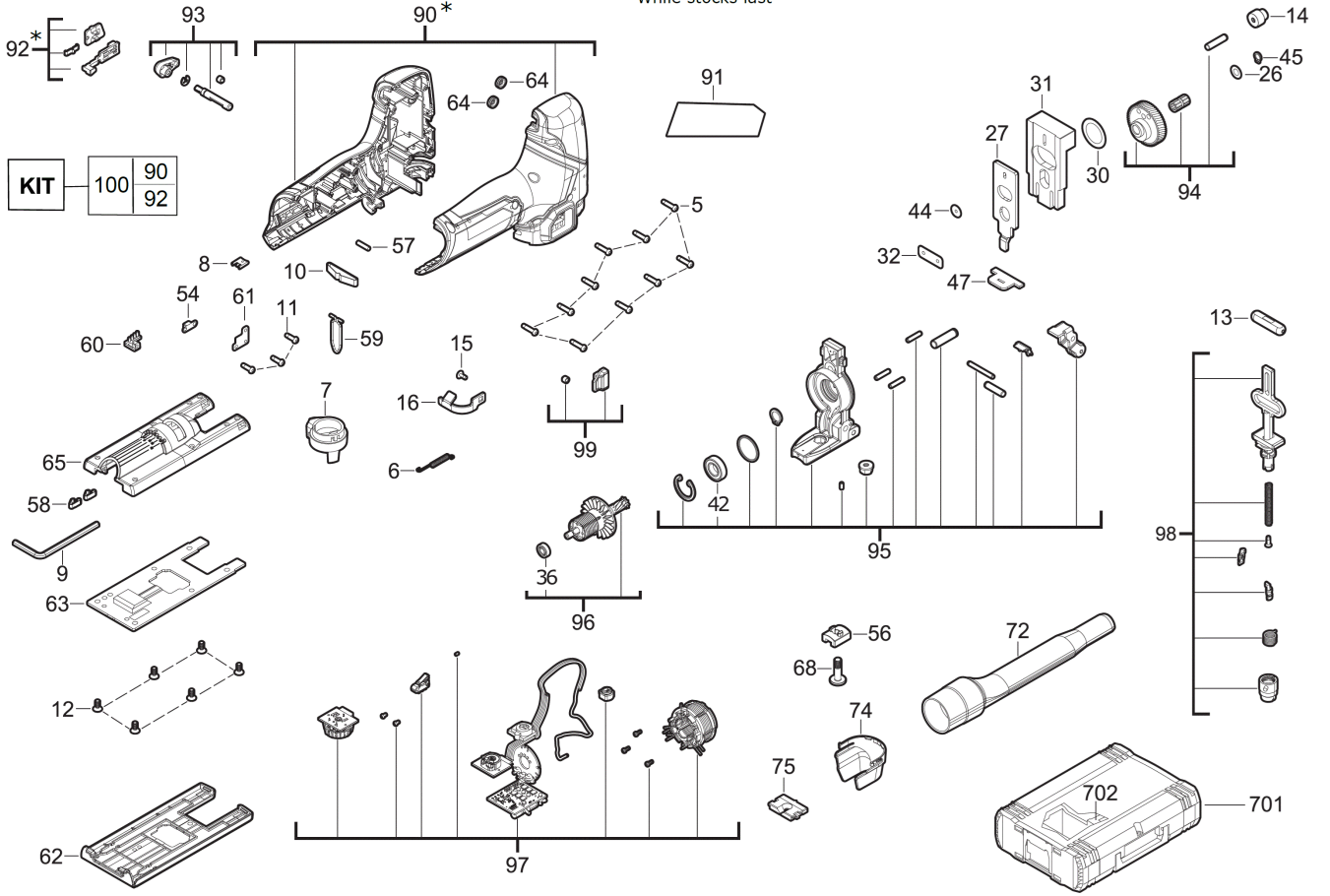


M12FJS-0 Akku-Stichsaeger XXX

4933493347 - M12FJS-0 - 4000497516



* While stocks last



| Position | Quantity | Description | Part number | EAN |
|----------|----------|----------------------|-------------------------------|---------------|
| 0005 1 | 10 | SCHRAUBE | 4931465499 | 4058546235994 |
| 0006 2 | 1 | FEDER | 4931454321 | 4002395286119 |
| 0007 3 | 1 | SAEGEANSCHLAGKLEMM. | 4931466421 | 4058546276386 |
| 0008 4 | 1 | VERBINDUNGSSTUECK | 4931436292 | 4002395252909 |
| 0009 5 | 1 | SKT-STIFTSCHLUESSEL | 4931495829 | 4058546494971 |
| 0010 6 | 1 | FEDER | 4931495830 | 4058546494988 |
| 0011 7 | 3 | SCHRAUBE | 4931436686 | 4002395258260 |
| 0012 8 | 6 | SCHRAUBE | 4931454315 | 4002395285457 |
| 0013 9 | 1 | DICHTBUECHSE | 4931495831 | 4058546494995 |
| 0014 10 | 1 | MITNEHMER | 4931495832 | 4058546495008 |
| 0015 11 | 1 | SCHRAUBE | 4931465139 | 4058546232399 |
| 0016 12 | 1 | AUSLEGER | 4931495833 | 4058546495015 |
| 0026 13 | 1 | SCHEIBE | 4931495834 | 4058546495022 |
| 0027 14 | 1 | HALTEPLATTE | 4931495835 | 4058546495039 |
| 0030 15 | 1 | SCHEIBE | 4931495836 | 4058546495046 |
| 0031 16 | 1 | AUFLAGEPLATTE | 4931495837 | 4058546495053 |
| 0032 17 | 1 | HALTEBLECH | 4931495838 | 4058546495060 |
| 0036 18 | 1 | KUGELLAGER | 4931495839 | 4058546495077 |
| 0042 19 | 1 | KUGELLAGER | 4931495840 | 4058546495084 |
| 0044 20 | 1 | SCHEIBE | 4931495841 | 4058546495091 |
| 0045 21 | 1 | HALTERING | 4931465917 | 4058546240172 |
| 0047 22 | 1 | DICHTUNG | 4931495842 | 4058546495107 |
| 0054 23 | 1 | DICHTUNG | 4931495843 | 4058546495114 |
| 0056 24 | 1 | KLEMMSTUECK | 4931495844 | 4058546495121 |
| 0057 25 | 1 | MOOSGUMMI | 4931495845 | 4058546495138 |
| 0058 26 | 2 | FEDER | 4931466431 | 4058546276485 |
| 0059 27 | 1 | SCHALTDRAHT | 4931495846 | 4058546495145 |
| 0060 28 | 1 | TRAEGER | 4931495847 | 4058546495152 |
| 0061 29 | 1 | DECKEL | 4931495848 | 4058546495169 |
| 0062 30 | 1 | SCHUTZSCHUH | 4931495849 | 4058546495176 |
| 0063 31 | 1 | GLEITSCHUH | 4931495850 | 4058546495183 |
| 0064 32 | 2 | GUMMIRING | 4931495851 | 4058546495190 |
| 0065 33 | 1 | SCHUTZSCHUH | 4931495852 | 4058546495206 |
| 0068 34 | 1 | SCHRAUBE | 4931466424 | 4058546276416 |
| 0072 35 | 1 | ROHR | 4931495853 | 4058546495213 |
| 0074 36 | 1 | DECKEL | 4931466420 | 4058546276379 |
| 0075 37 | 1 | SPANREISSSCHUTZ | 4931431787 | 4002395895700 |
| 0090 38 | 1 | HANDGRIFF-SET | Item discontinued(4931495854) | |
| 0091 39 | 1 | LEISTUNGSSCHILD | 4931495855 | 4058546495237 |
| 0092 40 | 1 | SCHALTERDRUECKER | Item discontinued(4931495856) | |
| 0093 41 | 1 | EINSTELLVORRICHTUNG | 4931495857 | 4058546495251 |
| 0094 42 | 1 | LAGERNADEL | 4931496280 | 4058546534172 |
| 0095 43 | 1 | GESTELL | 4931495858 | 4058546495268 |
| 0096 44 | 1 | ANKER F.ELEKTROMOTOR | 4931495859 | 4058546495275 |
| 0097 45 | 1 | ELEKTRONIK | 4931495860 | 4058546495282 |
| 0098 46 | 1 | SPINDEL SATZ | 4931495861 | 4058546495299 |
| 0099 47 | 1 | KNOPF | 4931495862 | 4058546495305 |
| 0100 48 | 1 | HANDGRIFF-SET | 4931511540 | 4058546653965 |
| 0702 49 | 1 | EINLEGETEIL | 4931495863 | 4058546495312 |