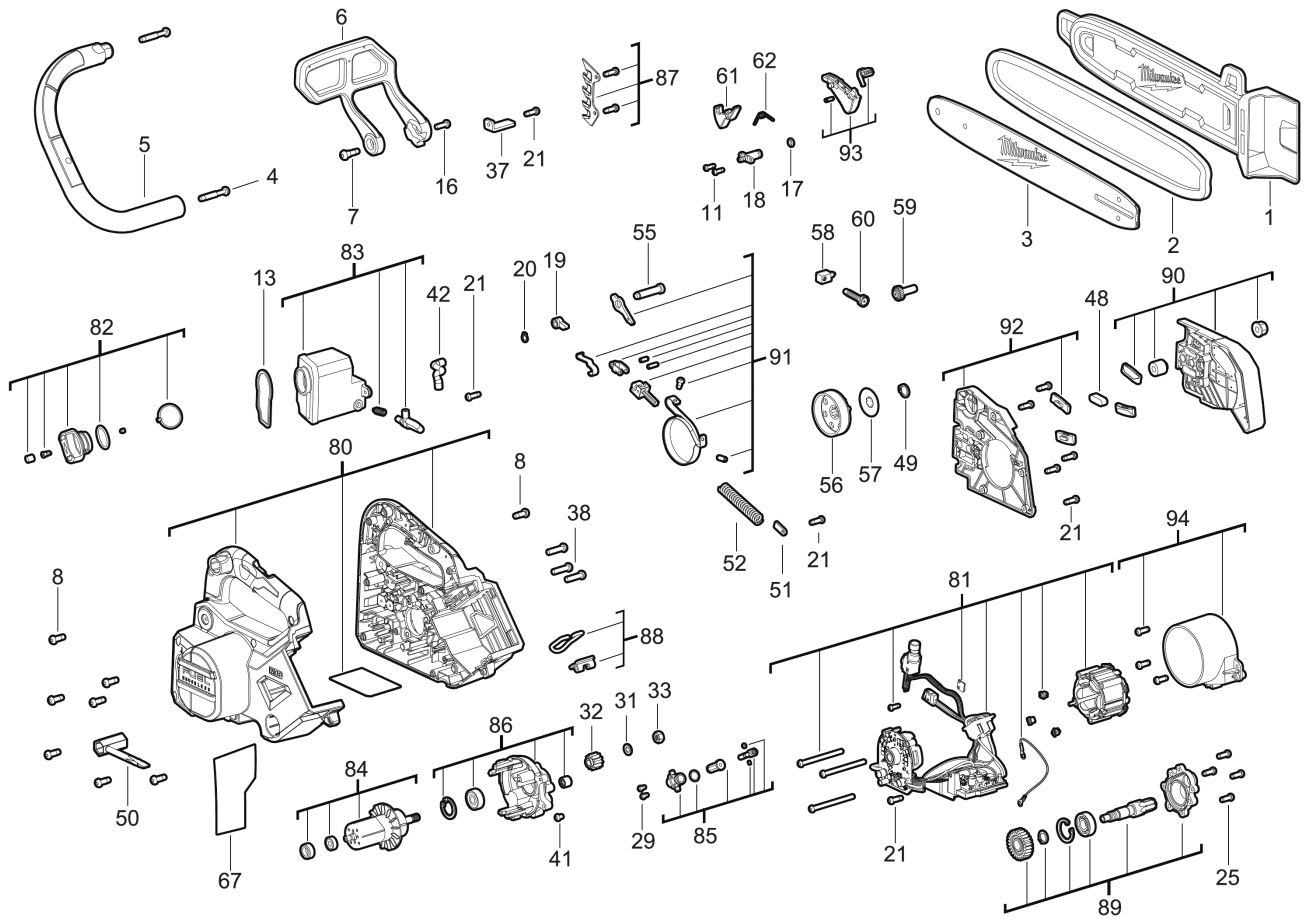


M18FTHCHS30-802 Akku-Kettensaeger IN2

4933499221 - M18FTHCHS30-802 - 4000503810



| Position | Quantity | Description | Part number | EAN |
|----------|----------|---------------------------------------|-------------|---------------|
| 0001 1 | 1 | SCHUTZVORRICHTUNG | 4931494738 | 4058546473105 |
| 0002 2 | 1 | 305mm Saegekette fuer M18 FTHCHS30 | 4932480177 | 4058546404628 |
| 0003 3 | 1 | Saegeschwert 12" / 30 cm M18 FTHCHS30 | 4932480171 | 4058546404567 |
| 0004 4 | 2 | SCHRAUBE | 4931453127 | 4002395153411 |
| 0005 5 | 1 | GRIFF | 4931494739 | 4058546473112 |
| 0006 6 | 1 | BEDIENUNGSHEBEL | 4931507237 | 4058546597481 |
| 0007 7 | 1 | SCHRAUBE | 4931465908 | 4058546240080 |
| 0008 8 | 8 | SCHRAUBE | 4931465909 | 4058546240097 |
| 0011 9 | 2 | SCHRAUBE | 4931436686 | 4002395258260 |
| 0013 10 | 1 | DICHTUNG | 4931494741 | 4058546473136 |
| 0016 11 | 1 | SCHRAUBE | 4931465913 | 4058546240134 |
| 0017 12 | 1 | O-RING | 4931465914 | 4058546240141 |
| 0018 13 | 1 | VERBINDUNGSSTUECK | 4931465915 | 4058546240158 |
| 0019 14 | 1 | SCHALTER | 4931465916 | 4058546240165 |
| 0020 15 | 1 | HALTERING | 4931465917 | 4058546240172 |
| 0021 16 | 8 | SCHRAUBE | 660024030 | 4002395826957 |
| 0025 17 | 4 | SCHRAUBE | 4931435150 | 4002395859948 |
| 0029 18 | 2 | SCHRAUBE | 4931435474 | 4002395891634 |
| 0031 19 | 1 | SCHEIBE | 4931494742 | 4058546473143 |
| 0032 20 | 1 | RITZEL | 4931494743 | 4058546473150 |
| 0033 21 | 1 | MUTTER | 4931494744 | 4058546473167 |
| 0037 22 | 1 | FANGRING | 4931465928 | 4058546240288 |
| 0038 23 | 3 | SCHRAUBE | 4931465929 | 4058546240295 |
| 0041 24 | 1 | SCHRAUBE | 4931494745 | 4058546473174 |
| 0042 25 | 1 | ROHR | 4931494746 | 4058546473181 |
| 0048 26 | 1 | KISSEN | 4931494747 | 4058546473198 |
| 0049 27 | 1 | SNAP RING | 4931472833 | 4058546331351 |
| 0050 28 | 1 | SCHLUESSEL | 4931465931 | 4058546240318 |
| 0051 29 | 1 | HALTEPLATTE | 4931465940 | 4058546240400 |
| 0052 30 | 1 | FEDER | 4931465941 | 4058546240417 |
| 0055 31 | 1 | BOLZEN | 4931465944 | 4058546240448 |
| 0056 32 | 1 | KUPPLUNGSSCHEIBE | 4931494748 | 4058546473204 |
| 0057 33 | 1 | SCHEIBE | 4931494749 | 4058546473211 |
| 0058 34 | 1 | QUERRIEGEL | 4931494750 | 4058546473228 |
| 0059 35 | 1 | SCHRAUBE | 4931465949 | 4058546240493 |
| 0060 36 | 1 | QUERRIEGEL | 4931494751 | 4058546473235 |
| 0061 37 | 1 | HEBEL | 4931494752 | 4058546473242 |
| 0062 38 | 1 | FEDER | 4931494753 | 4058546473259 |
| 0067 39 | 1 | LEISTUNGSSCHILD | 4931507238 | 4058546597498 |
| 0080 40 | 1 | GEHAEUSE | 4931507239 | 4058546597504 |
| 0081 41 | 1 | STATOR | 4931507240 | 4058546597511 |
| 0082 42 | 1 | VERSCHLUSSKAPPE | 4931473747 | 4058546356231 |
| 0083 43 | 1 | BEHAELTER | 4931494757 | 4058546473297 |
| 0084 44 | 1 | ROTOR | 4931494758 | 4058546473303 |
| 0085 45 | 1 | OEL PUMPE | 4931494759 | 4058546473310 |
| 0086 46 | 1 | GETRIEBEPLATTE | 4931494760 | 4058546473327 |
| 0087 47 | 1 | KRALLENANSCHLAG | 4931507241 | 4058546597528 |
| 0088 48 | 1 | HAKEN | 4931494762 | 4058546473341 |
| 0089 49 | 1 | DECKEL-SET | 4931494763 | 4058546473358 |
| 0090 50 | 1 | SAEGEANSCHLAG | 4931507242 | 4058546597535 |

| Position | Quantity | Description | Part number | EAN |
|-----------------|-----------------|--------------------|--------------------|---------------|
| 0091 51 | 1 | BREMSSCHEIBE | 4931507243 | 4058546597542 |
| 0092 52 | 1 | DECKEL | 4931494766 | 4058546473389 |
| 0093 53 | 1 | SCHUTZHAUBEN-SET | 4931494767 | 4058546473396 |
| 0094 54 | 1 | MOTORABDECKUNG | 4931494768 | 4058546473402 |