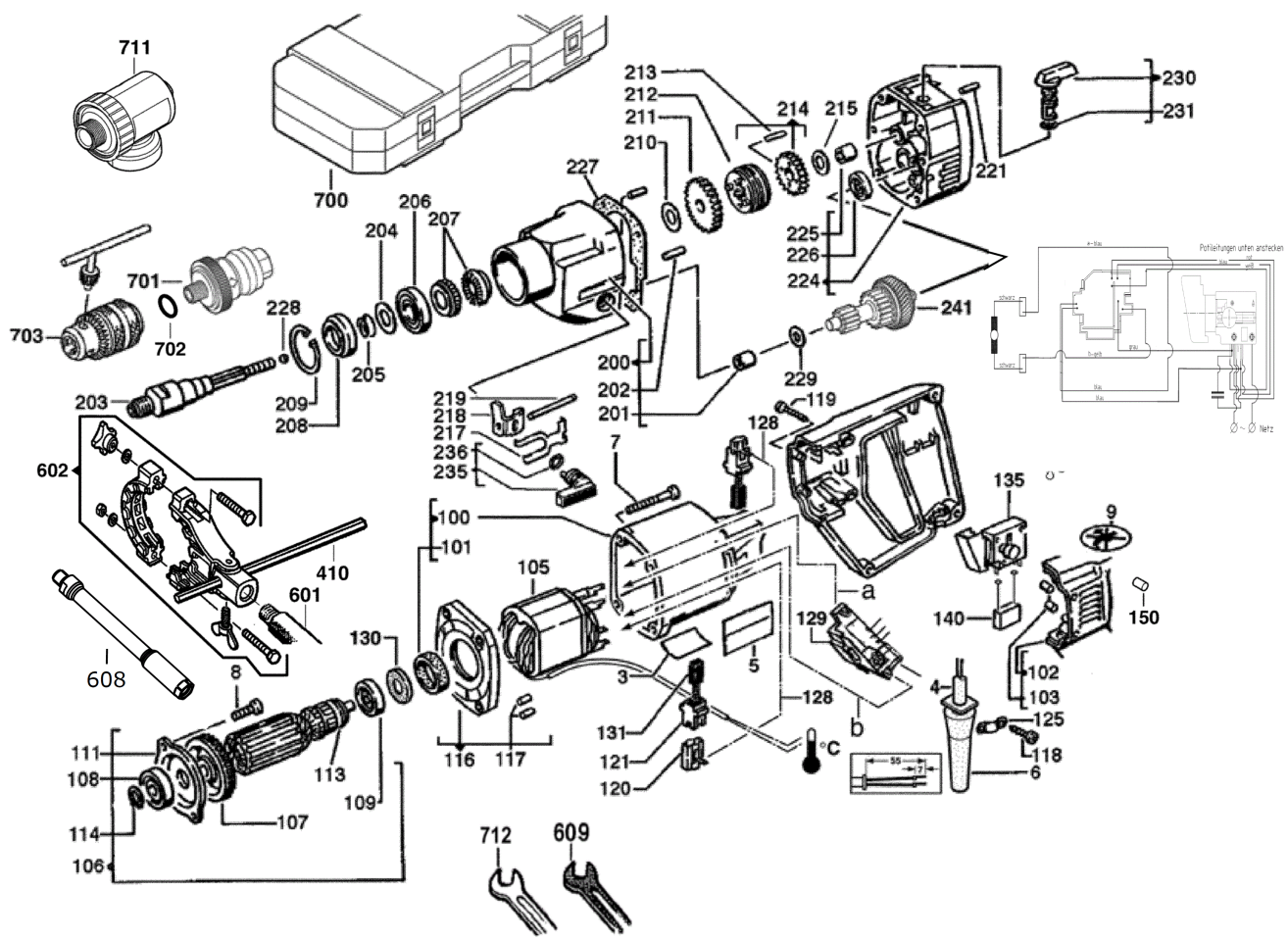


DD2-160XE DIAMOND DRILL IN2

4933368690 - DD2-160XE - 4000368691





Position	Quantity	Description	Part number	EAN
0003 1	1	RATING PLATE	Item discontinued(4931368692)	
0004 2	1	CONNECTION CABLE	4931302112	4002395591657
0005 3	2	NAME PLATE	4931380498	4002395689729
0006 4	1	CABLE ENTRY SLEEVE	4931359575	4002395653607
0007 5	4	SCREW D 912 M 4X70 8G	4931614685	4002395694259
0008 6	2	SCREW	4931612817	4002395694105
0009 7	1	LABEL	4931321699	4002395603459
0100 8	1	HOUSING	4931359587	4002395653676
0101 9	1	RUBBER SLEEVE	4931301483	4002395591428
0102 10	1	HANDLE	4931359589	4002395653690
0103 11	4	HOLDING-DOWN DEVICE	Item discontinued(4931244948)	
0105 12	1	ELECTRIC FIELD	4931442730	4002395883912
0106 13	1	ARMATURE	4931463719	4058546299569
0107 14	1	FAN	Item discontinued(4931271335)	
0108 15	1	GROOVED BALL BEAR.	4931368037	4002395670642
0109 16	1	BALL BEARING	4931901253	4002395706358
0111 17	1	BEARING COVER	4931267463	4002395587490
0113 18	1	INSULATING DISC	4931271823	4002395588138
0114 19	1	RING	4931605127	4002395693610
0116 20	1	AIR DEFLECTOR RING	4931337361	4002395620210
0117 21	2	RUBBER STOP	Item discontinued(562578001)	
0118 22	2	SCREW	4931624538	4002395760039
0119 23	7	SCREW	4931618253	4002395694945
0120 24	2	BRUSH HOLDER	4931317546	4002395600212
0121 25	2	BRUSH HOLDER INSUL	4931317544	4002395600199
0125 26	1	CABLE COLLAR	4931256500	4002395586547
0128 27	2	CONNECTION CABLE	4931622342	4002395697496
0129 28	1	PRINTED CIRC. BOARD	4931463248	4058546036430
0130 29	1	FELT WASHER	4931300215	4002395590957
0131 30	1	CARBON BRUSH SET	4931392581	4002395740741
0135 31	1	SWITCH	4931385859	4002395721863
0140 32	1	CAPACITOR	4931385864	4002395723027
0150 33	1	HOLDING-DOWN DEVICE	4931409768	4002395847617
0200 34	1	GEAR BOX	4931412489	4002395799442
0201 35	1	NEEDLE BEARING	4931219424	4002395583874
0202 36	2	PIN	4931615663	4002395694402
0203 37	1	DRILL SPINDLE	4931307984	4002395593644
0204 38	1	DISC	4931621809	4002395696048
0205 39	1	PRESSURE SPRING	4931267406	4002395587421
0206 40	1	BALL BEARING	4931891058	4002395706303
0207 41	2	PERCUSSION SLEEVE	4931325240	4002395731145
0208 42	1	SEAL RING	4931267522	4002395587537
0209 43	1	LOCKING RING	4931890311	4002395706297
0210 44	1	DISC	4931943605	4002395707119
0211 45	1	DRILL SPINDLE WHEEL	4931368671	4002395742011
0212 46	1	SHIFT RING COMPL.	4931307130	4002395593064
0213 47	2	PIN	4931621732	4002395695867
0214 48	1	DRILL SPINDLE WHEEL	4931369652	4002395673858
0215 49	1	DISC N874237 8,1X16X0,5	4931901226	4002395706334
0217 50	1	RETAINING SPRING	4931307118	4002395593057

Position	Quantity	Description	Part number	EAN
0218 51	1	SWITCH LEVER	4931309010	4002395594122
0219 52	1	PIN	4931621731	4002395695850
0221 53	1	PIN	4931621650	4002395695744
0224 54	1	BEARING END PLATE	4931412490	4002395799497
0225 55	1	SLEEVE N874989 HKO 0810	4931912093	4002395706464
0226 56	1	BALL BEARING	4931624661	4002395790906
0227 57	1	GASKET	4931307995	4002395593729
0228 58	1	BALL	4931805437	4002395706037
0229 59	1	DISC N874237 8,3X16,5X1	4931919962	4002395706563
0230 60	1	SWITCH LEVER	4931320109	4002395602223
0231 61	1	O-RING N874701 8X1	4931943493	4002395707058
0235 62	1	SWITCH LEVER	4931310479	4002395594597
0236 63	1	O-RING N874701 14X1	4931621782	4002395893485
0241 64	1	REDUCTION GEAR	4931368673	4002395742028
0410 65	1	DEPTH GAUGE	4931384434	4002395719402
0601 66	1	HANDLE	4931375516	4002395736027
0602 67	1	CLAMPING RING	4931407017	4002395784851
0608 68	1	Не досту пно для д анной ве рсии	1000000003	
0609 69	1	KEY	4931236557	4002395584765
0700 70	1	CARRYING CASE	Item discontinued(4931412492)	
0702 71	1	O-RING	4931941117	4002395706969
72	1	Chuck Key C S3T-1pc	4932221379	4002395306381
0701 73	1	FIXTEC ADAPTER FIXTEC M18/16 P1 MET	4932399174	4002395357819
0703 74	1	Keyed Chuck 3Jaw C 3.0-16 M18x2.5-1pc	4932320014	4002395310784
0711 75	1	FIXTEC CLR M18X2.5 / 1 1/4 P1M	4932352172	4002395368242
0712 76	1	OPEN-ENDED SPANNER SW17/24 P1 A/M	4932345710	4002395307722